



TC-H348M Spec:63X/IL/E++/A

PTZ Camera

Pro Series



KEY FEATURES

- Up to 2560×1440@25fps
- Color: 0.001lux@ (F1.6, AGC ON), 0lux with IR
- S+265/H.265/H.264
- Optical Zoom 63X
- IR Range Up to 300m
- Built-in Micro SD card slot, up to 512 GB
- Support Smart surveillance, Capture facial images
- Support Human/Vehicle Classification
- Operating Conditions -40°C~70°C(IR OFF) -40°C~40°C(IR ON), 0~95%
- DC36V±25%, POE IEEE802.3BT
- IP66

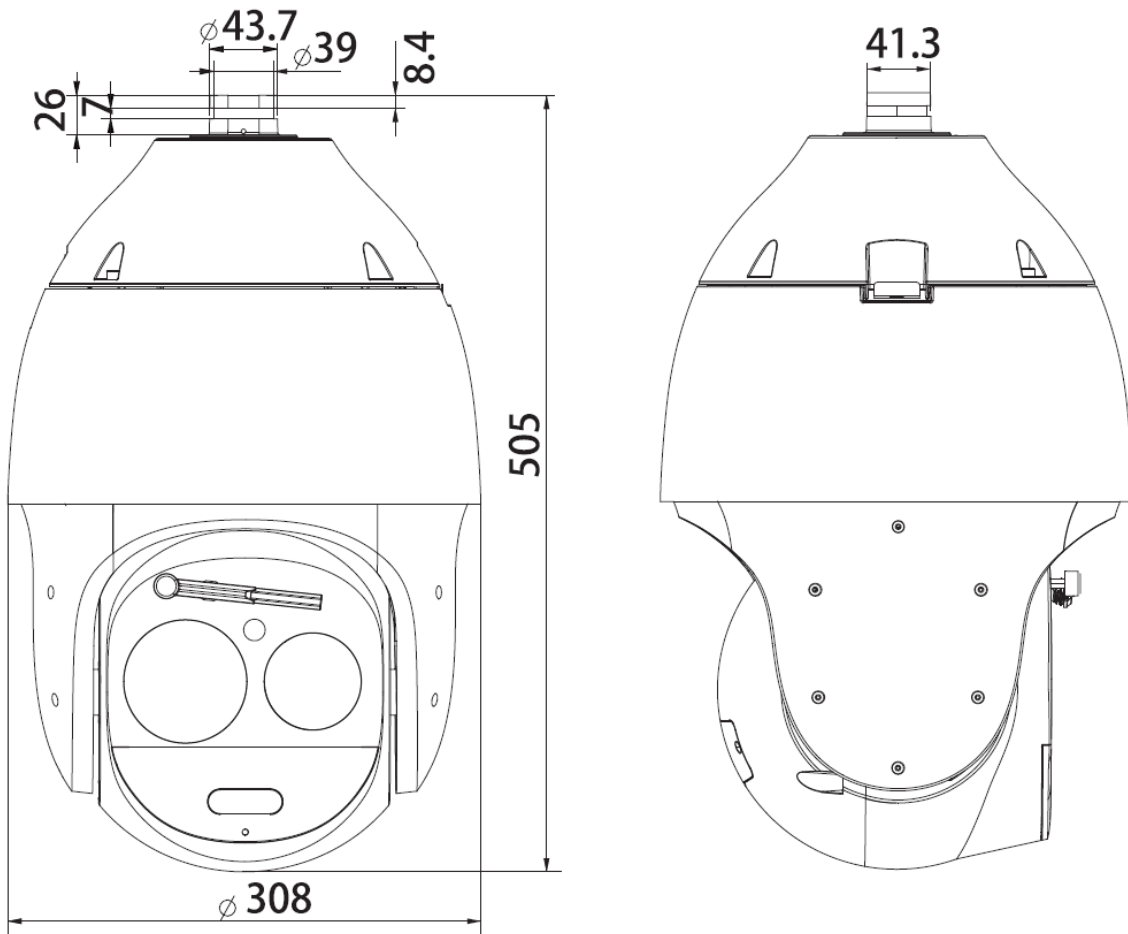
SPECIFICATIONS

Camera	
Image Sensor	1/1.8"CMOS
Min. Illumination	Color: 0.001lux@ (F1.6, AGC ON), 0lux with IR
Shutter Time	1s~1/100000s
Day&Night	IR-cut filter with auto switch (ICR)
WDR	120dB,Only supported in monitoring mode,mutually exclusive with anti shake
Lens	
Focal Length	5.7mm~359mm
Optical Zoom	63X
Digital Zoom	16X
Zoom Speed	<8s
Aperture Range	F1.63~F4.94
Field of View	60°~1.5°(H); 35.5°~0.87°(V); 67.5°~1.77°(D)
Focus Control	Auto/Semi-auto/Manual
Iris Control	Auto
Close Focus Distance	1000mm~3000mm
DORI Distance	Detect:3800m Observe:1508m Recognize:760m Identify:380m
Pan&Tilt	
Pan Range	360°
Tilt Range	-21°~90° (Default -13°~90°)
Tilt Speed	Manual Speed:0.1°~120°/s Preset: 180°/s
3D Position	Yes
Preset	500
Cruise	16, up to 32 presets per cruise
Scan	8
Pattern	8, each with 600s memory or 1000 orders
Scheduled Task	Preset、Cruise、Scan、Pattern
North Point	Yes
Power-off Memory	Yes
Preset Freezing	Yes
Illuminator	
IR LEDs	11
IR Distance	Up to 300m
Wavelength	850nm
IR Irradiation Angle	Adjustable by Zoom
White LEDs	2
Whitelight Distance	30m
Red and blue alarm flash	Yes
Laser	6
Laser Distance	Up to 500m

Compression Standard	
Video Compression	S+265/H.265/H.264
Video Bit Rate	32Kbps~16Mbps
Audio Compression	G.711A/G.711U/ADPCM_D/AAC_LC
Audio Sampling Rate	8KHz/32KHz/48KHz
Image	
Max. Resolution	2560×1440@25fps
Main Stream	PAL:25fps(2560×1440, 2304×1296, 1920×1080, 1280×720) NTSC:30fps(2560×1440, 2304×1296, 1920×1080, 1280×720)
Sub Stream	PAL:25fps(704×576, 704×288, 352×288, 640×360) NTSC:30fps(704×480, 704×240, 352×240, 640×360)
Third Stream	PAL:25fps(704×576, 704×288, 352×288, 640×480) NTSC:30fps(704×480, 704×240, 352×240, 640×480)
BLC	Yes
HLC	Yes
AGC	Yes
White Balance	Yes
ROI	7 rectangular 3D fixed focus areas, supporting 1 rectangular dynamic tracking ROI
EIS	Yes
OSD	5 regions(Each region can have a maximum of 127 characters,up to 5 lines); 16*16/24*24/32*32/48*48/64*64/96*96/adaptable size; Vector/Lattice
Defog	Yes
Flip	Normal/Inverted Flip
Regional Exposure	Yes
Regional Focus	Yes
Demist	Yes
Privacy Mask	24 regions
Feature	
Alarm Trigger	Motion Detection; Mask Alarm; Disk Full; Disk R/W Error; Recording Exception; IP Address Conflict; MAC Address Conflict; FTP Server Exception ; Event Input,Event Output; Network cable disconnected
Linkage Method	send email; trigger sound; trigger warmlight; trigger recording; trigger capture; notify surveillance center
Video Analytics	Human/Vehicle Classification; Tripwire; Double Tripwire; Perimeter; Object Abandon; Object Lost; Heatmap; Loitering; Running; Parking; People Counting; Crowded; Safety Helmet Detection; On Duty Detection; Video Abnormal; Audio Abnormal
Early Warning(EW)	Early Warning(EW)
Auto-Tracking	Auto-Tracking
Face Mode	Capture facial images
Network	
ANR	ANR

Protocols	HTTP; HTTPS; TCP/IP; UDP; UPnP; ICMP; IGMP; SNMP v1; DHCP; DNS; DDNS; Easy DDNS; NTP; SMTP; TLS; SSL; 802.1x; QoS; IPv4; IPv6; PPPOE; Unicast; Multicast; ARP; RTP; SRTP; RTSP; FTP; SFTP; NAS; PING
System Compatibility	ONVIF Profile S/T/G/M; CGI; RTMP
Remote Connection	≤4
User/Host	Up to 32 users. 4 user levels
Client	Easy7 Smart Client
Moblle Client	EasyLive Plus
Interface	
Communication Interface	1*RJ45 10M/ 100M self adaptive Ethernet port
Audio I/O	1*Input Impedance 1kΩ,2.0~2.4Vp-p; 1*Output Impedance 600Ω
Alarm I/O	8,Switching; 2,Switching,Voltage≤DC24V,Current≤1A
Reset Button	Yes
On-board storage	Built-in Micro SD card slot, up to 512 GB
RS-485	RS485
Wiper	Yes
Electronic Compass	Yes
General	
Web Client Language	17 languages Simple Chinese/English/Traditional Chinese/Spanish/Italian/ Korean/Turkish/Russian/Thai/ Polish/French/Dutch/ Hebraism/Vietnamese/Arabic/German/Ukrainian
Operating Temperature	-40°C~70°C(IR OFF) -40°C~40°C(IR ON)
Operating Humidity	0~95%
Storage Temperature	-40°C~70°C
Storage Humidity	0~95%(non-condensing)
Power Supply	DC36V±25%; POE IEEE802.3BT
Protection	Surge protection 4000V; Lightning proof 6000V; IP66
Material	Metal
Boundary Dimensions	308mm(D)x505mm(H)
Package Dimensions	460(L)*460(W)*720(H)mm
GrossWeight	17.95kg
NetWeight	12.75kg

DIMENSIONS (Unit: mm)



Assembly diagram of Junction Box



DF21Y



811



A35



DF21Y



A36